



ILLUMINATES YOUR WORLD

INSTALLATION MANUAL

Thank you for purchasing a Lucide original!

This manual will hopefully guide you easily through the installation process. We aim to inspire and illuminate our clients by offering trendy, high-quality and affordable lighting.

Welcome to the community of #illuminatesyourworld

DISCOVER OUR COLLECTION!



Visit our website and discover our entire collection

CURIOUS ABOUT OUR BRAND?



Our brand video gives you a glimpse behind the scenes at Lucide

#ILLUMINATESYOURWORLD



Take a look at how others around the world use Lucide products

Follow us for the latest lighting trends!

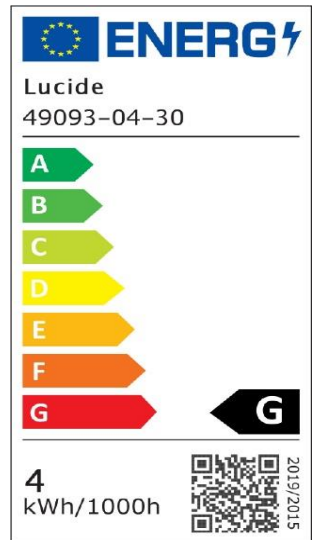


LUCIDE



Item number: 49093/04/30
EAN code: 5411212491978

MR11



General

Dimensions LxWxH: 3,5cm x 3,5cm x 4,6cm
Main material: Ceramics
Color: Black and Transparant
Shape: Reflector
Weight: 0,03kg
Warranty: 30 Days
Lumen: 1 x 280lm
Colour temperature: 2200K
Beam angle (if directional): 40°
Color Rendering Index: 95
Expected lifetime: 30000h

Specifications

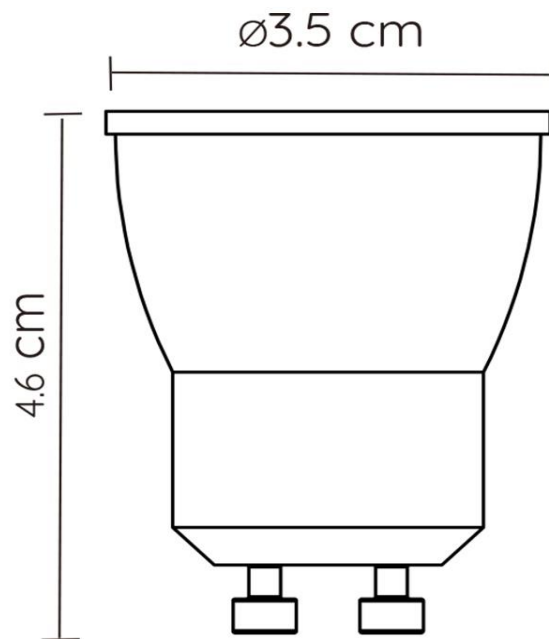
Dimmable: Yes
Sensor: Without Sensor
Control: Light Switch Control
Power supply: Adapter/Power Grid
IP-class: 20
Electric class: 1
Number of light sources: 1
Lamp socket: GU10
Wattage: 1 x 4W
Power requirements: 220-240V-50Hz

For more specifications of this product please visit
www.lucide.com



MR11

Item number: 49093/04/30
EAN code: 5411212491978





ILLUMINATES YOUR WORLD

LUCIDE NV

LUCIDE NV BISSCHOPPENHOFLAAN 145, 2100 DEURNE, BELGIUM

info@lucide.com tel: +32(0)3 366 22 04

www.lucide.com