



ILLUMINATES YOUR WORLD

# INSTALLATION MANUAL

**Thank you for purchasing a Lucide original!**

This manual will hopefully guide you easily through the installation process. We aim to inspire and illuminate our clients by offering trendy, high-quality and affordable lighting.

**Welcome to the community of #illuminatesyourworld**

DISCOVER OUR COLLECTION!



Visit our website and discover our entire collection

CURIOS ABOUT OUR BRAND?



Our brand video gives you a glimpse behind the scenes at Lucide

#ILLUMINATESYOURWORLD



Take a look at how others around the world use Lucide products

Follow us for the latest lighting trends!

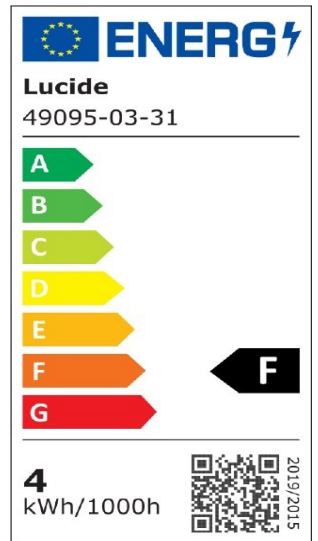


LUCIDE



Item number: 49095/03/31  
EAN code: 5411212491916

G9



## General

Dimensions LxWxH: 1,6cm x 1,6cm x 5,3cm  
Main material: Synthetic Material  
Color: White and Transparant  
Style: Modern  
Shape: Capsule  
Weight: 0,02kg  
Warranty: 30 Days  
Lumen: 1 x 350lm  
Colour temperature: 2700K  
Beam angle (if directional): 360°  
Color Rendering Index: 80  
Expected lifetime: 15000h

## Specifications

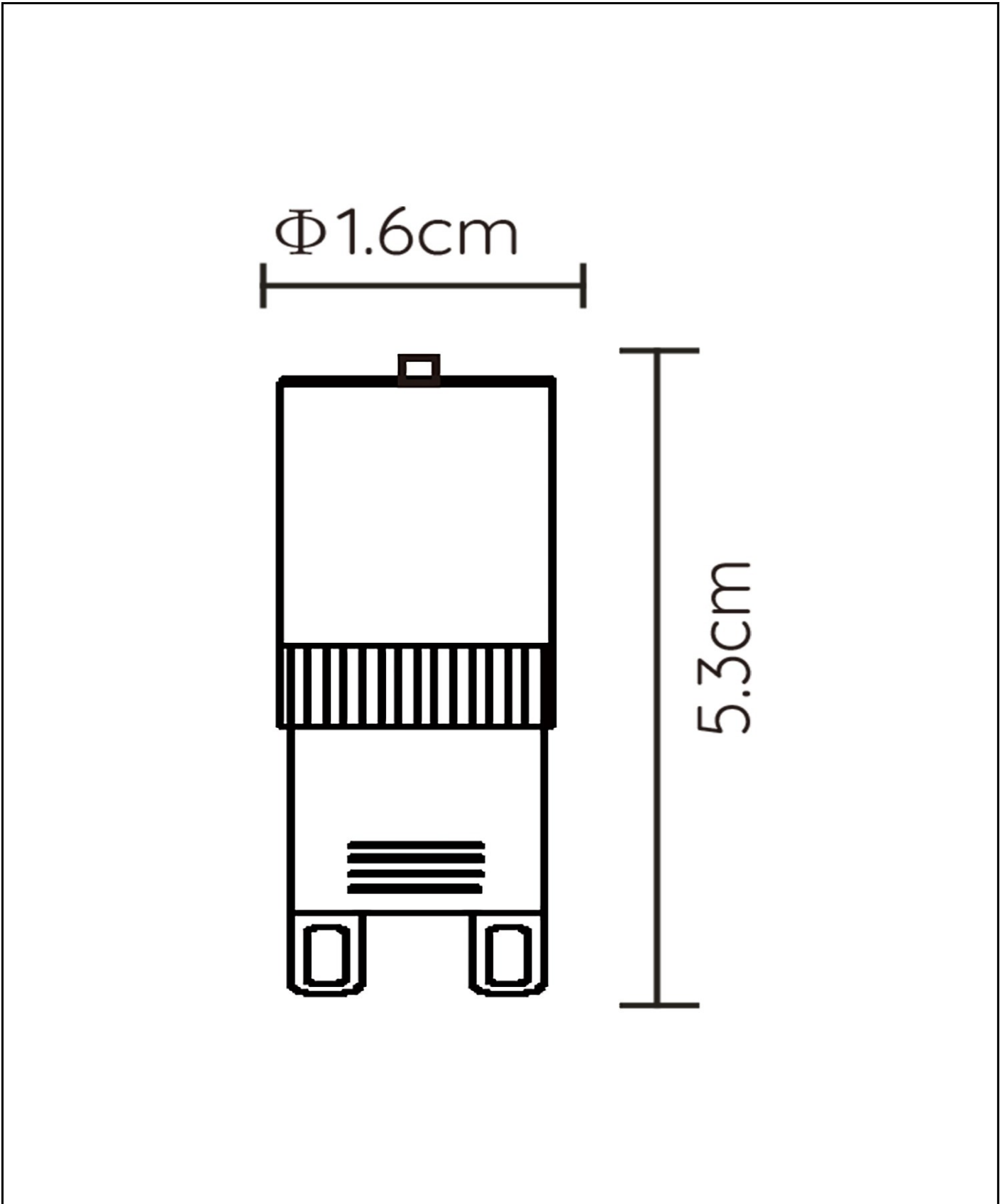
Dimmable: Yes  
Adjustable in height: Not In Height Adjustable  
Directional: Not Directional  
Cable: No Cable On Product  
Sensor: Without Sensor  
Control: Light Switch Control  
Power supply: Adapter/Power Grid  
IP-class: 20  
Electric class: 1  
Number of light sources: 1  
Lamp socket: G9  
Wattage: 1 x 3,5W  
Power requirements: 220-240V-50Hz

For more specifications of this product please visit  
[www.lucide.com](http://www.lucide.com)



G9

Item number: 49095/03/31  
EAN code: 5411212491916



For more specifications or dimensions of this product please visit  
[www.lucide.com](http://www.lucide.com)



ILLUMINATES YOUR WORLD

LUCIDE NV

LUCIDE NV BISSCHOPPENHOFLAAN 145, 2100 DEURNE, BELGIUM

info@lucide.com tel: +32(0)3 366 22 04

[www.lucide.com](http://www.lucide.com)