



ILLUMINATES YOUR WORLD

INSTALLATION MANUAL

Thank you for purchasing a Lucide original!

This manual will hopefully guide you easily through the installation process. We aim to inspire and illuminate our clients by offering trendy, high-quality and affordable lighting.

Welcome to the community of #illuminatesyourworld

DISCOVER OUR COLLECTION!



Visit our website and discover our entire collection

CURIOUS ABOUT OUR BRAND?



Our brand video gives you a glimpse behind the scenes at Lucide

#ILLUMINATESYOURWORLD



Take a look at how others around the world use Lucide products

Follow us for the latest lighting trends!

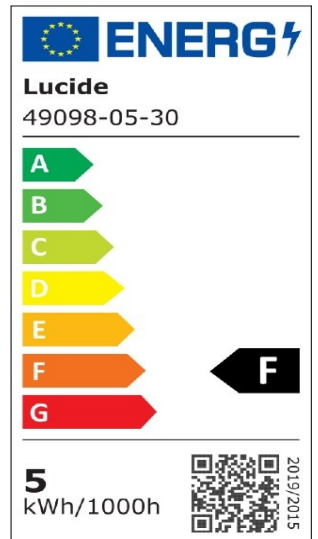


LUCIDE



Item number: 49098/05/30
EAN code: 5411212491701

G45



General

Dimensions LxWxH: 4,3cm x 4,3cm x 5cm
Main material: Synthetic Material
Color: Black and Transparent
Style: Modern
Shape: Reflector
Weight: 0,03kg
Warranty: 30 Days
Lumen: 1 x 450lm
Colour temperature: 2700K
Beam angle (if directional): 120°
Color Rendering Index: 80
Expected lifetime: 15000h

Specifications

Dimmable: Yes
Sensor: Without Sensor
Control: Light Switch Control
Power supply: Adapter/Power Grid
IP-class: 20
Electric class: 1
Number of light sources: 1
Lamp socket: E14
Wattage: 1 x 5W
Power requirements: 220-240V-50Hz

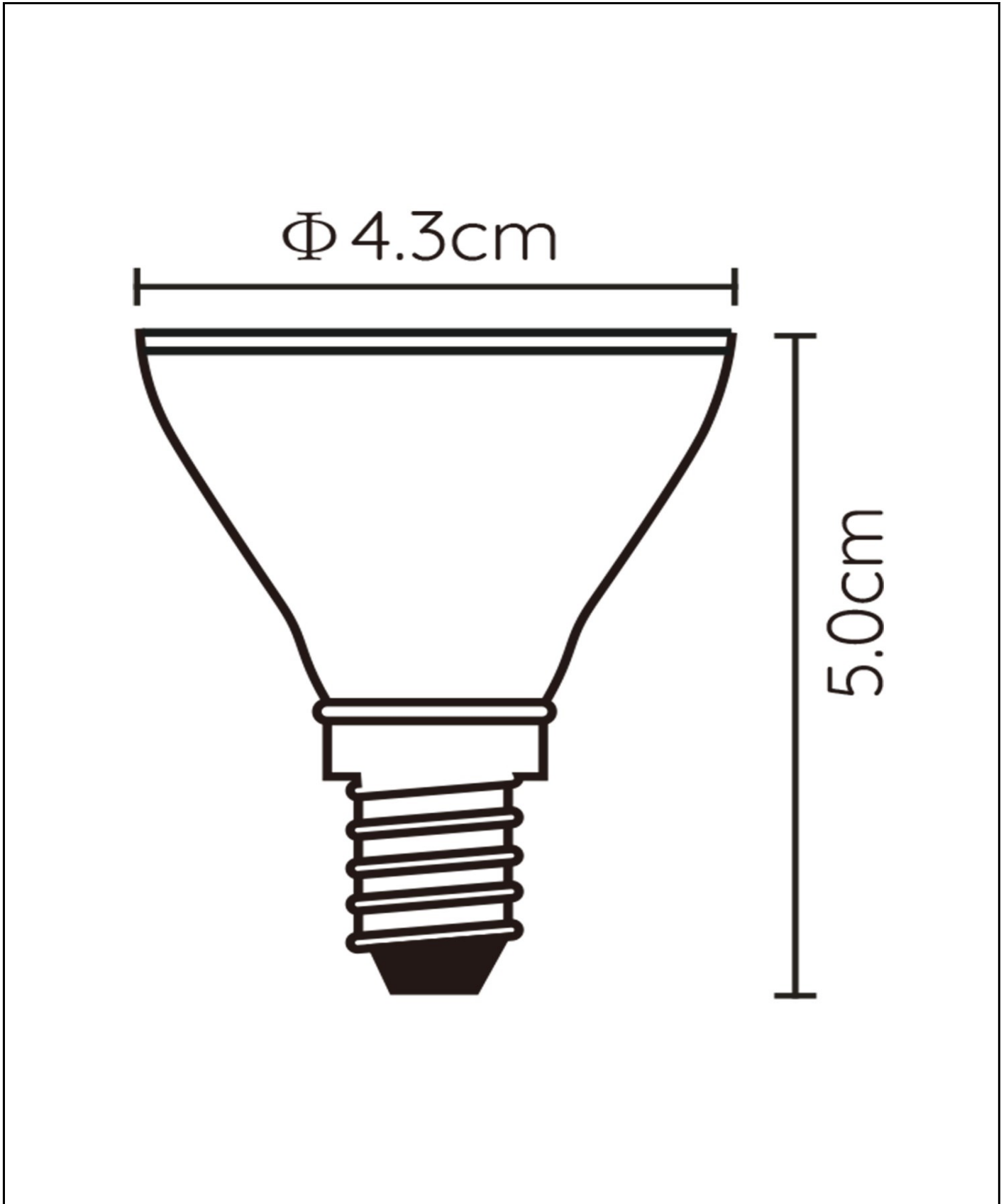
step 1 - 0 lm
step 2 - 50 lm
step 3 - 230 lm
step 4 - 450 lm

For more specifications of this product please visit
www.lucide.com



G45

Item number: 49098/05/30
EAN code: 5411212491701



For more specifications or dimensions of this product please visit
www.lucide.com



ILLUMINATES YOUR WORLD

LUCIDE NV

LUCIDE NV BISSCHOPPENHOFLAAN 145, 2100 DEURNE, BELGIUM

info@lucide.com tel: +32(0)3 366 22 04

www.lucide.com