



ILLUMINATES YOUR WORLD

# INSTALLATION MANUAL

**Thank you for purchasing a Lucide original!**

This manual will hopefully guide you easily through the installation process. We aim to inspire and illuminate our clients by offering trendy, high-quality and affordable lighting.

**Welcome to the community of #illuminatesyourworld**

DISCOVER OUR COLLECTION!



Visit our website and discover our entire collection

CURIOUS ABOUT OUR BRAND?



Our brand video gives you a glimpse behind the scenes at Lucide

#ILLUMINATESYOURWORLD



Take a look at how others around the world use Lucide products

Follow us for the latest lighting trends!

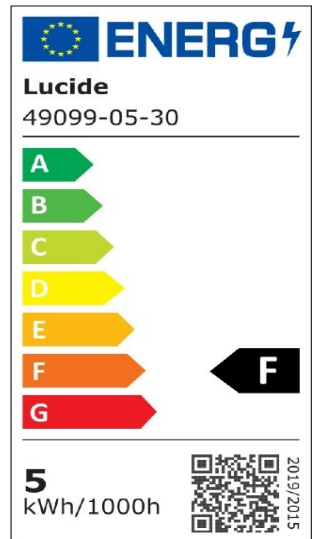


LUCIDE



Item number: 49099/05/30  
EAN code: 5411212491718

G45



## General

Dimensions LxWxH: 4,3cm x 4,3cm x 5cm  
Main material: Synthetic Material  
Color: Black and Transparent  
Style: Modern  
Shape: Reflector  
Weight: 0,03kg  
Warranty: 30 Days  
Lumen: 1 x 450lm  
Colour temperature: 2700K  
Beam angle (if directional): 120°  
Color Rendering Index: 80  
Expected lifetime: 15000h

## Specifications

Dimmable: Yes  
Sensor: Without Sensor  
Control: Light Switch Control  
Power supply: Adapter/Power Grid  
IP-class: 20  
Electric class: 1  
Number of light sources: 1  
Lamp socket: E27  
Wattage: 1 x 5W  
Power requirements: 220-240V-50Hz

step 1 - 0 lm  
step 2 - 50 lm  
step 3 - 230 lm  
step 4 - 450 lm

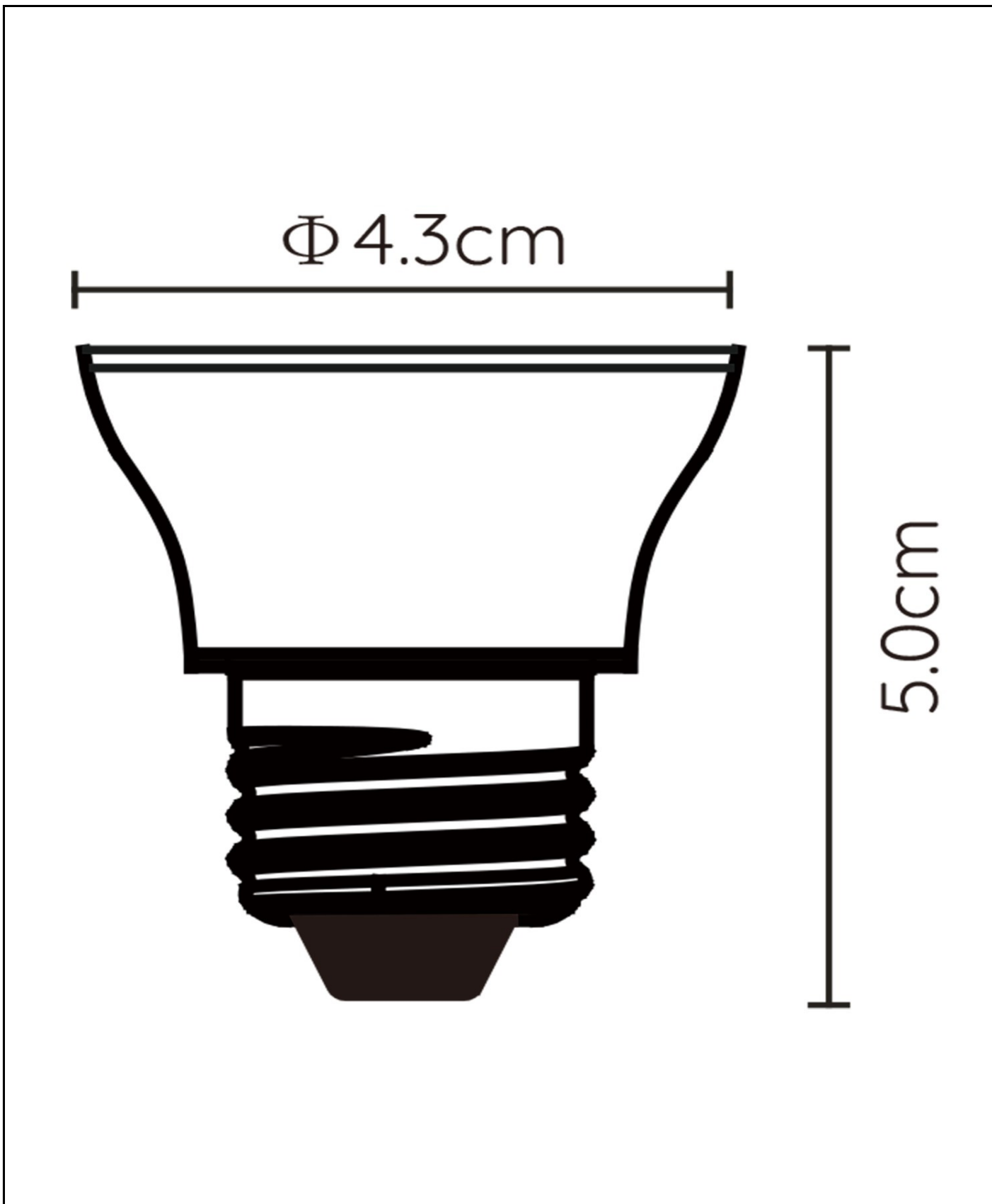
For more specifications of this product please visit  
[www.lucide.com](http://www.lucide.com)



G45

Item number: 49099/05/30

EAN code: 5411212491718



For more specifications or dimensions of this product please visit [www.lucide.com](http://www.lucide.com)



ILLUMINATES YOUR WORLD

LUCIDE NV

LUCIDE NV BISSCHOPPENHOFLAAN 145, 2100 DEURNE, BELGIUM

info@lucide.com tel: +32(0)3 366 22 04

[www.lucide.com](http://www.lucide.com)