

LUCIDE TRACK LIGHTING



**You're on the
right track.**

LUCIDE

ILLUMINATES YOUR WORLD



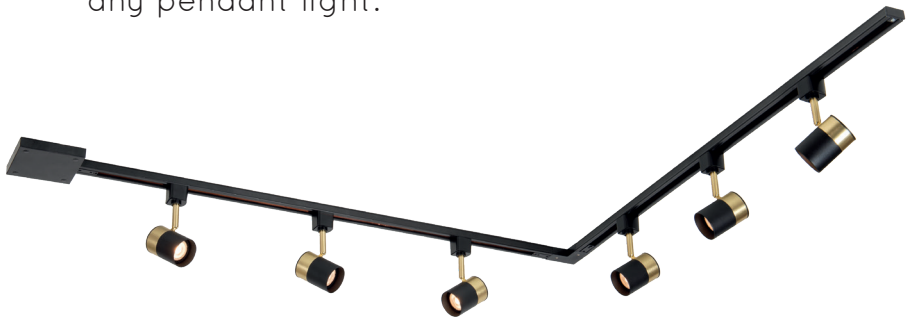
Track lighting

Unveil the brilliance of Lucide Track Lighting, your ultimate lighting solution! With its sleek design and limitless possibilities, this concept will illuminate your space.

Experience stylish and practical illumination with our extendable track, reaching up to an impressive 400 meters. Customize it with a variety of lamps to perfectly suit your personal needs. The starter set is just the beginning; the possibilities are endless!

Discover the benefits and create your perfect line-up!

- Limitless combinations and lighting plans.
- Extend the track up to an impressive 400 meters.
- Add up to 5 lights per meter.
- Accommodate up to 3500 watts per setup.
- Choose from a wide array of spots and pendants.
- Utilize the pendant adapter to incorporate almost any pendant light.



Interested?
Watch for
more info!

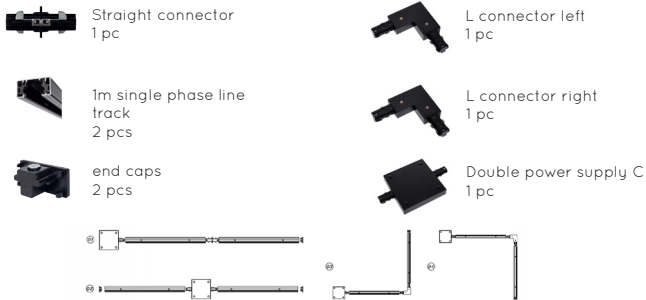


How to start?

1 BEGIN WITH A STARTER SET



2 USE THE BASIC SET WHICH YOU CAN INSTALL IN YOUR FAVORITE LAY-OUT



+ 2m plastic cover for track, easily cuttable

3 CHOOSE YOUR LIGHTS FROM ONE OF OUR FAVORITE DESIGNS



Nigel

Dorian

Floris

Floris

Favori

Favori

4 EASY TO EXTEND WITH





Choose your favorite lay-out!

Customize your lighting plan to your needs. The track can be extended up to 400 metres with 5 lights per metre.



Choose your lamps



NIGEL SPOT



FLORIS SPOT



FAVORI SPOT



DORIAN SPOT



FLORIS PENDANT



FAVORI PENDANT

The possibilities and combinations are endless.

- All pendant lights can be adjusted in height
- Easy to connect to a dimmer
- The pendant adapter gives even more possibilities!



Personalize your track



TRACK BASIC SET - BLACK



TRACK BASIC SET - WHITE



TRACK 1M



TRACK COVER 1M



END CAPS



SINGLE/DOUBLE
POWER SUPPLY



L-CONNECTOR
RIGHT



L-CONNECTOR
LEFT



STRAIGHT
CONNECTOR



PENDANT
ADAPTER



SINGLE POWER
SUPPLY



DOUBLE
POWER SUPPLY



T-CONNECTOR



X-CONNECTOR

Pendant adapter

Design your lighting experience with freedom and versatility. Lucide track lighting delivers simplicity without compromising on captivating design.

Expand your track lighting with the pendant adapter. Add Lucide pendant lamps effortlessly! Unlock infinite possibilities for customization. Elevate your lighting setup and unleash your creativity.



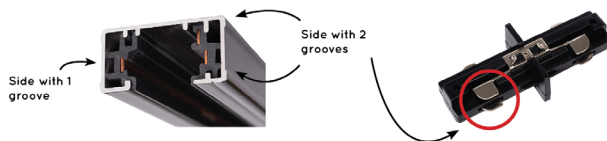
+



Installation guide



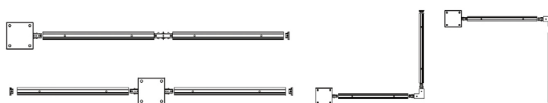
Tip: The track system has 2 different sides. One side with 1 groove and the other side with 2 grooves, which contains the protective conductor. Make sure that every added object is positioned in the right direction.



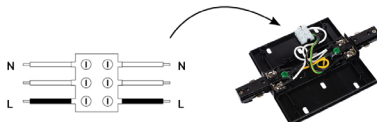
Choose the placement of your track system. Determine where the power point will be: the mounting house will be placed here. Always switch off the power before you start working.



Use the floor to lay-out how the track system should look on the ceiling. Connect all the different pieces in advance so that everything fits together correctly. Consider where the mounting house should be, this can be anywhere along the track system.



Connect the electrical wires in the mounting house to the electrical wires of the power point with the luster terminal.



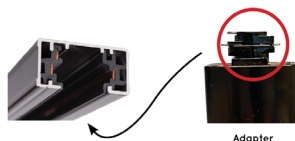
Extend the track system with the rails according to your plan. Use different connection pieces if necessary. Start from the power point and work towards your chosen end point.



Tip: Use a cross-line laser to mount the track system in a straight line to the ceiling.



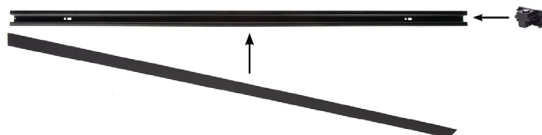
Add your selected lamps to the track system. Use the adapter located on top of the lamp.



- 1 • Place two fingers on the adapter and push downwards.
- Place the top section of the adapter in the track with the pins facing the same direction as the track.
- Twist the adapter clock- or counterclockwise.
- The 2 pins of the adapter need to turn to the side of the track with two grooves.
- If you let go of the adapter and feel it click you've mounted the light correctly.

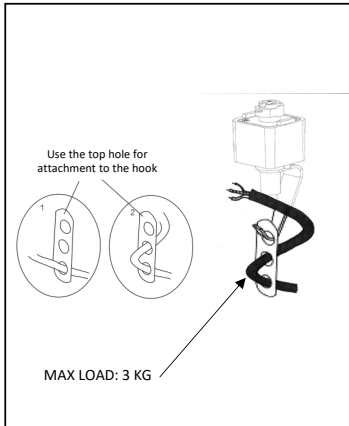


Complete the track system with the end caps and rail cover for a flawless end result.

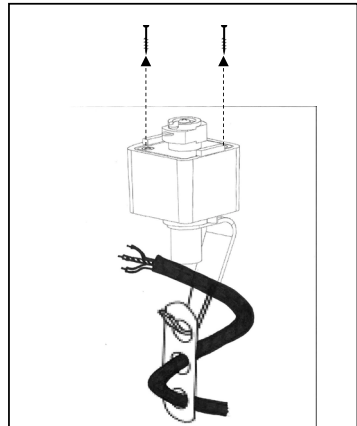


Pendant adapter - installation

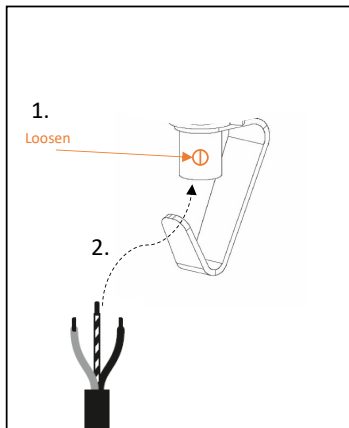
1.



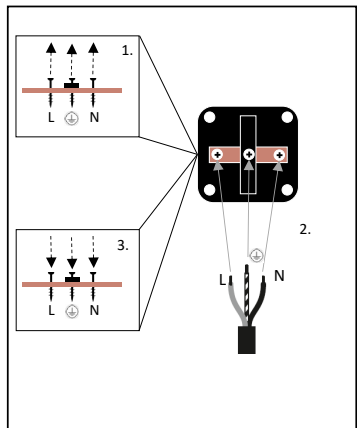
2.



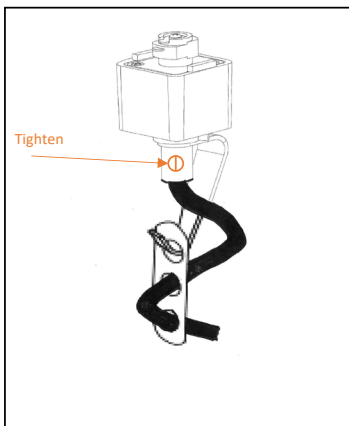
3.



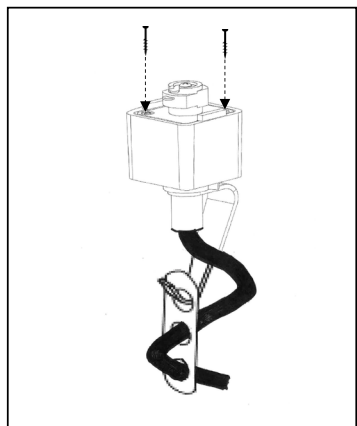
4.



5.



6.



LUCIDE

